

ASSEMBLY INSTRUCTIONS

READ ALL INSTRUCTIONS BEFORE YOU BEGIN. PLEASE FOLLOW THE STEPS IN ORDER.

PARTS LIST:



**Leg
(2 pcs)**



**Foot
(2 pcs)**



**Shelf Peg Support
(4pc)**



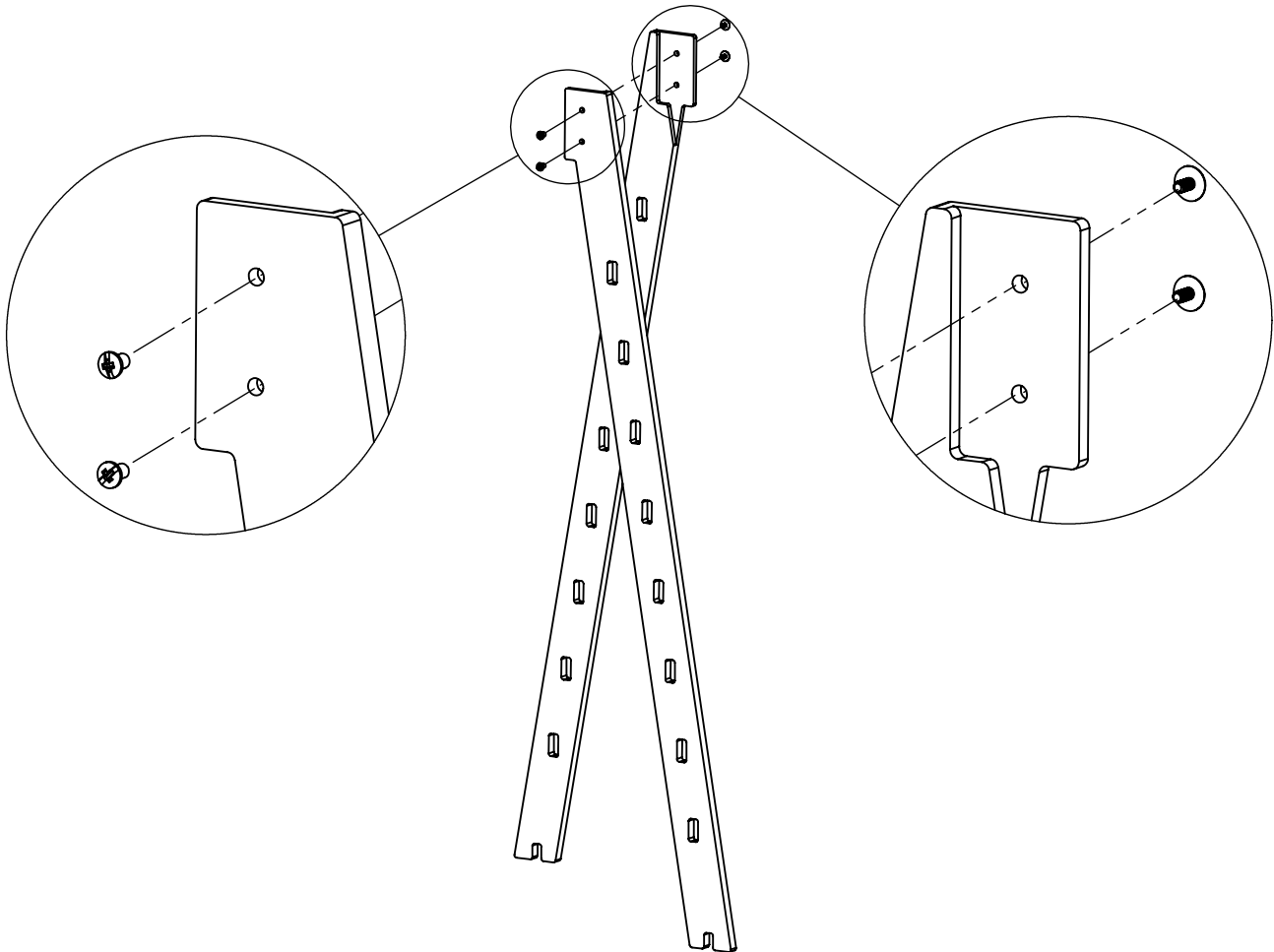
**Truss Screws
(2 pc)**



**Binding Nut
(2 pc)**

***Tools Required for assembly : Flathead & Phillips-head screwdriver (Not Included)**

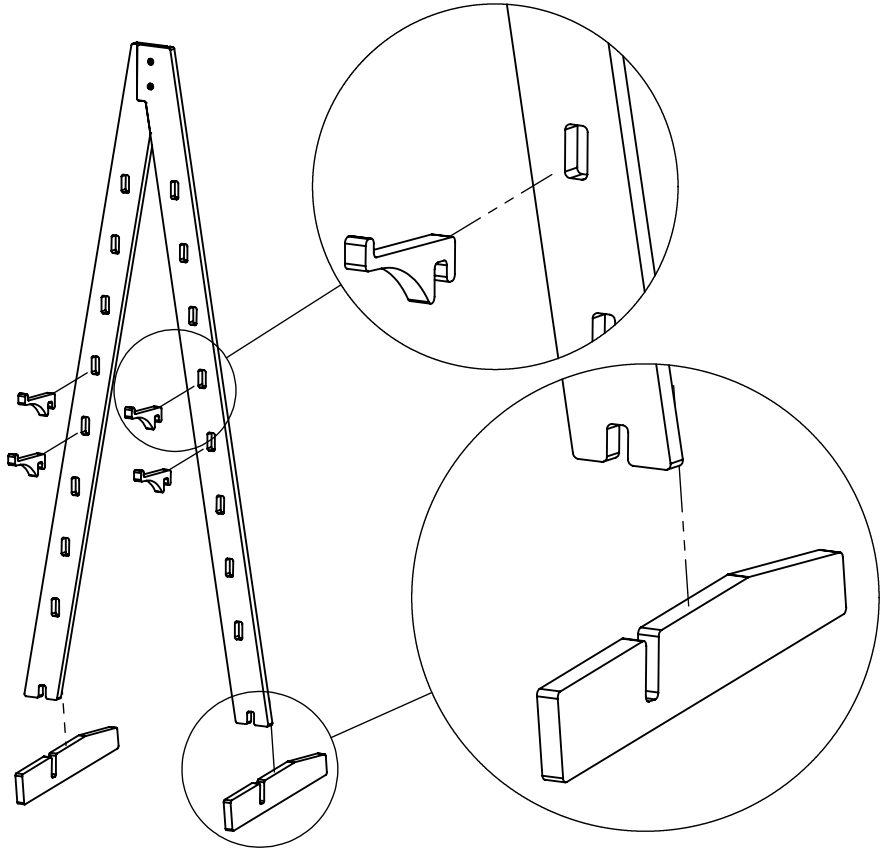
STEP 1: Connect (2x) legs by assembling the Screw & Nut to the top holes of the legs. This connection should feel snug but do not overtighten the metal hardware.



ASSEMBLY INSTRUCTIONS

READ ALL INSTRUCTIONS BEFORE YOU BEGIN. PLEASE FOLLOW THE STEPS IN ORDER.

STEP 2: Attach (2x) feet to the bottom slots of the legs & shelf peg supports to the front of the legs.



ASSEMBLED WOODEN FLOOR STANDING EASEL WITH 4 ADJUSTABLE PEGS, COLLAPSIBLE

